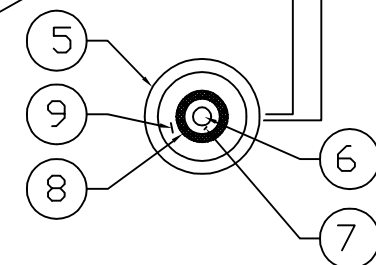
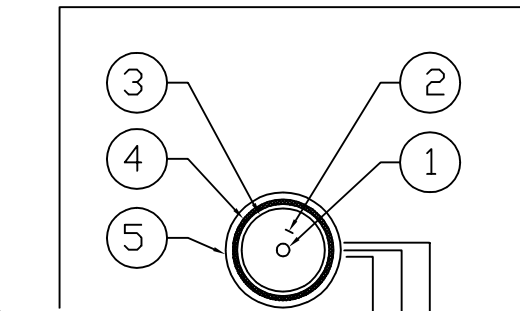
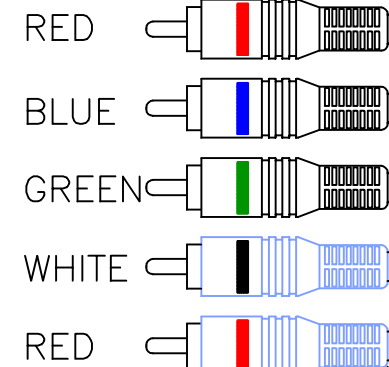


REVISIONS

ZONE	REV	DESCRIPTION	DATE	APPROVED
------	-----	-------------	------	----------

FLAT RIBBON CONFIGURATION

COLOR BAND

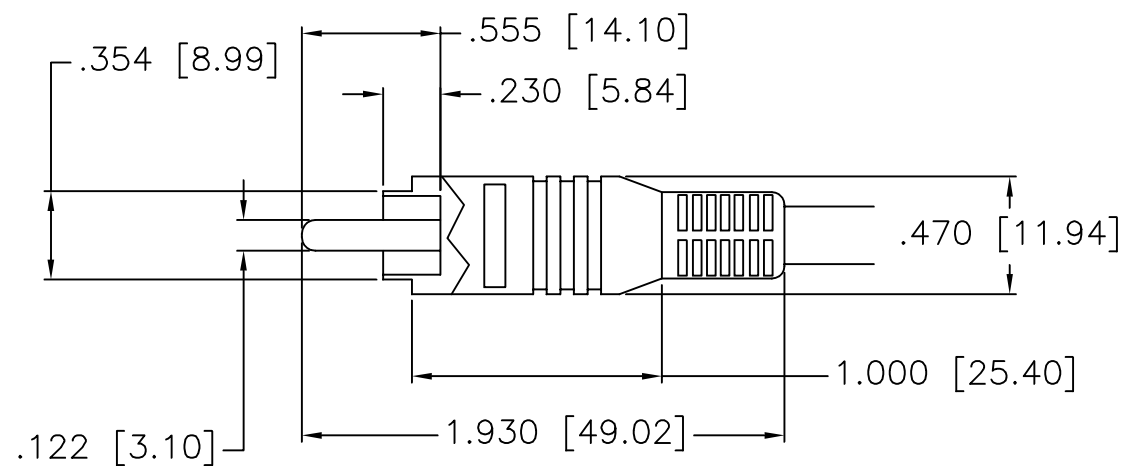


SEE PART NUMBER

10X VIDEO COLOR SATIN-IVORY FULLY MOLDED CONSTRUCTION



4X AUDIO COLOR BLACK FULLY MOLDED CONSTRUCTION



- ① CENTER CONDUCTOR, 22 GAUGE SOLID, 99.99% PURE OXYGEN-FREE COPPER WIRE
- ② CENTER CONDUCTOR JACKET LOW-ATTENUATION FOAMED CELLULAR DIELECTRIC
- ③ 120% 0.12 MILLIMETER ALUMINUM-POLYESTER SHEET
- ④ 95% PURE COPPER-BRAID
- ⑤ ULTRA-FLEX SATIN-IVORY RUBBER 6.00 MILLIMETER OD PVC JACKET
- ⑥ CENTER CONDUCTOR, 26 GAUGE STRANDED, 99.99% PURE OXYGEN-FREE COPPER WIRE
- ⑦ CENTER CONDUCTOR JACKET PVC INSULATION
- ⑧ 95% PURE COPPER WIRE SHIELD
- ⑨ SHIELD WIRE JACKET PVC INSULATION

10X 24K GOLD-PLATED HEAVY DUTY RCA CONNECTORS

PART NUMBER		LENGTH		UNLESS OTHERWISE SPECIFIED: INTERPRET DWG PER DOD-STD-100 DIMENSIONS APPLY AFTER FINISH DIMENSIONS ARE IN INCHES TOLERANCES ARE: FRACTIONS    DECIMALS    ANGLES ±            .XX ±            ± .XXX ±	CONTRACT NO.		CONVERSIONS TECHNOLOGY				
CTRCA5 GOLD-3		LENGTH 3 FEET			APPROVALS						DATE
CTRCA5 GOLD-6		LENGTH 6 FEET			DRAWN		R. OFALLON		GOLD SERIES 5 WIRE		
CTRCA5 GOLD-12		LENGTH 12 FEET			CHECKED						
DASH NO.	NEXT ASSY	USED ON	FINISH	ENGRG		ME		SIZE	CAGE CODE	DWG NO.	REV
APPLICATION				DO NOT SCALE DRAWING		PE		B		CTRCA5 GOLD	
						QA		SCALE			SHEET